

MARTIN™ MG10 and MM11

SPECIFICATIONS:

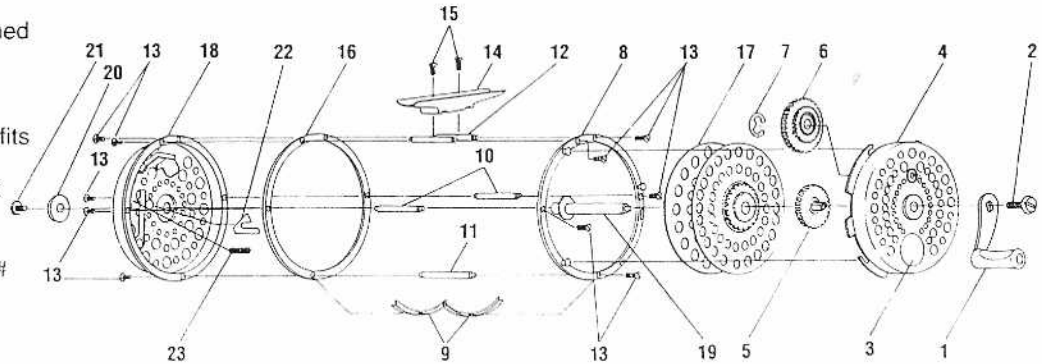
3⁵/₁₆" Diameter

MC10

- 30 yds. WF7F plus 100 yds. of 20# backing capacity
- 5.75 oz. Weight
- 1³/₁₆" Spool Depth
- Single coil-spring powered, cammed adjustable drag
- Extra heavier spring included for adding drag pressure
- Super-strong, machined reel foot fits all fly rods
- Lock stud and safety latch for fast spool change

MM11

- 30 yds. WF8F plus 100 yds of 20# backing capacity
- 6.5 oz. Weight
- 1⁵/₁₆" Spool Depth
- Dual pawl adjustable drag
- Machined reel foot fits all fly rods
- Twin stainless-steel line guides for right/left hand retrieve



FEATURES:

- Multiple action with high-speed 3:1 ratio retrieve
- High-strength aluminum alloy spool, back and gear case
- One-year limited warranty

ReelSchematic

Key No.	MG 10 Part No.	MM 11 Part No.	Description	Price
1	1263-MM11-SA	1263-MM11-SA	Handle Assembly	7.37
2	QC068-01A	QC068-01A	Handle Screw	1.15
3	727S	727S	Medallion	1.03
3A	9501	9501	Glue Circle	.93
4	1326PP	N/A	Side Cover (Handle Side)	6.90
4	N/A	1326-MG10-01APP	Side Cover (Handle Side)	2.12
5	1262-MM11-PP	1262-MM11-PP	Crank Shaft/Drive Gear Assy	2.66
6	1261-MM11-PP	1261-MM11-PP	Secondary Gear Assy	3.50
7	RR190-05A	RR190-05A	Gear Retainer	.20
8	789-01ACP	789-01ACP	Rim (Handle Side)	2.35
9	767-01A	767-01A	Line Guide	.70
10	290-01A	N/A	Reel Post	3.97
10	N/A	608-01A	Reel Post	.41
11	293S-01A	N/A	Line Guide Post	4.30
11	N/A	191-01B	Line Guide Post	2.23
12	764-01B	N/A	Reel Foot Post	6.08
12	N/A	820S-01B	Reel Foot Post	1.12
13	234	234	Pillar Screw	.32
14	809-01A	809-01A	Reel Foot	5.57
15	RR130-10A	RR130-10A	Reel Foot Screw	.20
16	WC193-07ACP	WC193-07ACP	Rim (Pawl Side)	3.05
17	F15	F41	Spool Assembly	13.05
18	1331-MG10-PP	N/A	Side Cover (Pawl Side)	4.20
18	N/A	1294-MM11-PP	Side Cover (Pawl Side)	7.75
19	787-01A	N/A	Spindle	3.30
19	N/A	634-01A	Spindle	.60
20	774-01A	774-01A	Spindle Cap	.84
21	RR130-07A	RR130-07A	Spindle Cap Screw	1.00
22	756-CP	756-CP	Pawl	.54
23	510S	510S	Pawl Spring	.32

MODEL INTRODUCED	EFFECTIVE DATE OF PARTS LIST/DIAGRAM	Oct. 1996	DISCONTINUED	N/A
------------------	--------------------------------------	-----------	--------------	-----

Prices subject to change without notice. Prices do not include postage and handling.

PLEASE ORDER BY PART NUMBER Zebco Division Brunswick Corporation, Box 270, Tulsa, OK 74101 USA 918-831-6965

